



# AMERICAN SPECIALTIES, INC.

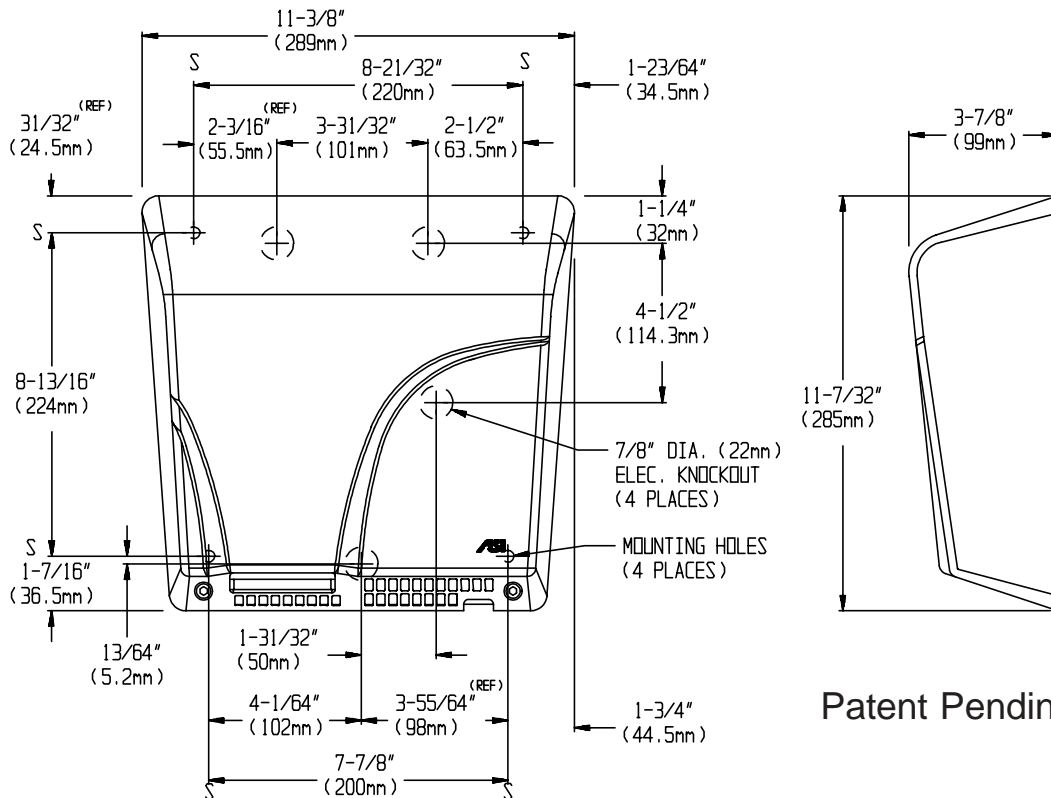
441 Saw Mill River Road, Yonkers, NY 10701 (914) 476-9000  
www.americanspecialties.com

MODEL No: 0165

ISSUED: 10-05

REVISED: 7-06

## SURFACE MOUNTED SENSOR HAND DRYER (pg 1/2)



Patent Pending

### SPECIFICATION

Surface Mounted Hand Dryer shall operate automatically from IR sensor that shall activate dryer when hands are placed in sensor zone. Motor and heating element shall have internal resetting automatic thermal protection. Cover shall be fabricated of one-piece, heavy-duty cast aluminum 7/64" (2.8mm) thick, and shall have all exposed surfaces finished with acid, chip and scratch resistant epoxy enamel. Fixed directional air vanes shall be heavy duty, rust proof and tamper resistant. Air intake slots shall not allow access to internal parts. Back plate shall be furnished with vibration isolating mounting bushings. Circuitry shall have self-adjusting time-out and fail-safe off protection controlled by a microprocessor that shall detect and reject false signals and shall automatically self calibrate to provide uniform sensitivity over its entire life span. Entire unit shall be internally electrically grounded. Dryer unit shall have cULus approval and be listed under the re-examination services of Underwriters Laboratories, Inc. Unit shall be warranted against defects in materials or workmanship for Ten (10) years.

**Surface Mounted Sensor Hand Dryer shall be Model N°0165 of American Specialties Inc., 441 Saw Mill River Road, Yonkers, NY 10701-4913**

### INSTALLATION

Unit is surface mounted on wall with four (4) 1/4" screws, washers and bushings (supplied) through rubber grommets (supplied) in a corrosion protected formed heavy steel back plate. For masonry walls use expansion bolts or anchors for 1/4" (6mm) screws. Electrical service is supplied and connected (by others) prior to installing cover. Cover is secured to back plate with two (2) hex socket security screws (supplied). For compliance with ADA Accessibility Guidelines, unit should be installed so that bottom edge of dryer is 54" (1372mm) maximum above finished floor (AFF) if clear floor side reach access is provided or 48" (1219mm) max. AFF if clear floor forward reach access is only provided. For general utility install unit so that bottom edge of dryer is 45" to 50" (1143mm to 1270mm) AFF. For two or more dryers, dryers should be no closer than 24" (610mm) on center.

### OPERATION

Dryer is activated by user placing hands under sensor. Dryer automatically shuts off after time-out when user removes hands from sensor zone.

Accessory Specialties

AMERICAN DISPENSER

Desert Ray Products

WATROUS INC.



# AMERICAN SPECIALTIES, INC.

441 Saw Mill River Road, Yonkers, NY 10701 (914) 476-9000  
www.americanspecialties.com

MODEL No: 0165

ISSUED: 10-05

REVISED: 7-06

## SURFACE MOUNTED SENSOR HAND DRYER (pg 2/2)

### RATINGS

MODEL	TYPE	TIMING	VOLTS HERTZ	AMPS	WATTS	COLOR*
0165	Hand	Automatic	115VAC-50/60Hz	14.4	1653	White
			208VAC-50/60Hz	13	1352	
			240VAC-50/60Hz	15	1800	

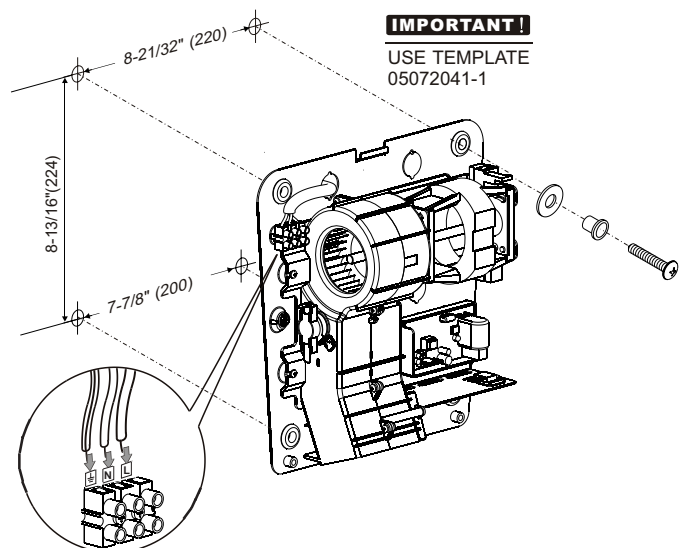
MODEL	MOTOR	H/P	RPM	FAN TYPE	AIR FLOW	HEATING ELEMENT	HEAT TEMP.
0165 115VAC	Brush Type Dual Ball Bearings	1/4	7500	Single Inlet Centrifugal	180 CFM (306 m <sup>3</sup> /h)	1488 Watt Nichrome wire with auto reset circuit breaker @ 115VAC	140° F (60° C) @ 77° F (25° C) ambient room temperature
0165 208VAC						1217 Watt Nichrome wire with auto reset circuit breaker @ 104VAC	
0165 240VAC						1620 Watt Nichrome wire with auto reset circuit breaker @ 120VAC	

### COLOR OPTIONS\*

Unit is supplied with white finish unless color option is specified. Specify optional color Cool Grey by adding appropriate code number suffix to standard model number (i.e. 0165-40). For color chips see the **OPTIONS** section.

CODE	COLOR
40	Cool Grey

### Installation Diagram



See installation template and instructions packed with unit.

### Circuit Diagram

